

# GSE 500

## Economical granulators



- Knives are adjusted outside of the machine
- Mobile Compact design
- Different rotor Types available
- Easy accessibility
- Aggressive tangential infeed



Rotor and stator knives are pre-set outside the machine prior to installation in a supplied fixture. This makes awkward adjustment inside the machine unnecessary.

### Applications

The GSE series of machines are designed as economical granulators for use in medium volume in-house recycling applications. The cutting geometry of the GSE 500 series allows even bigger hollow parts to be ground. The whole GSE granulator line achieves a high quality regrind independent of the material Type or form such as injection moulded parts, blow moulded parts, profiles, sheets, film, etc.



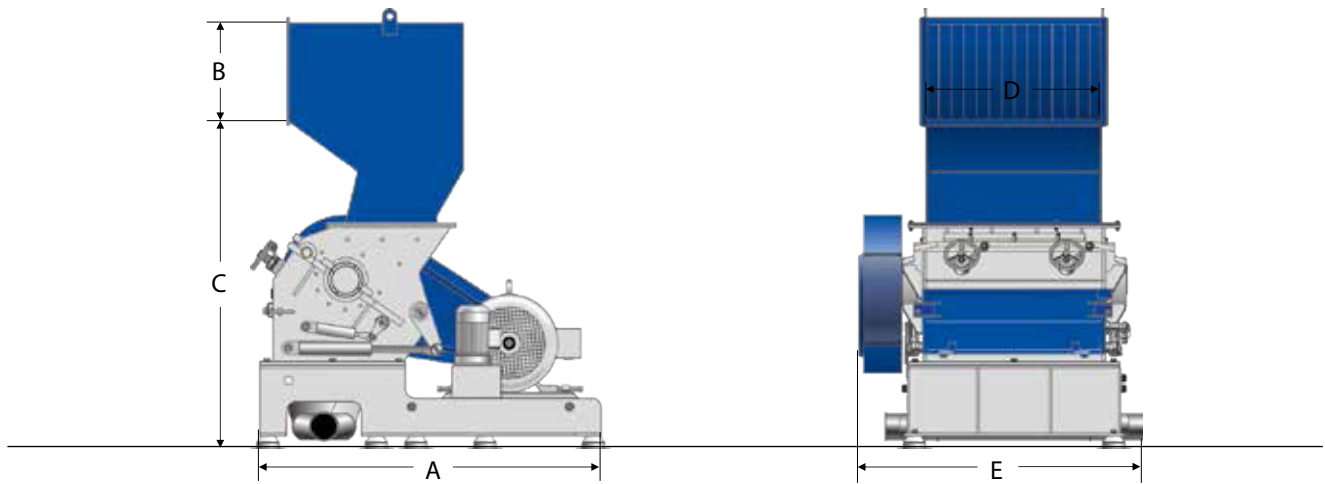
The GSC granulators are available with different rotor options to fit different applications, all rotors feature the V-cut technology creating a high quality regrind.

### General Description

For the GSE 500 series different rotor designs are available in widths ranging from 500 mm to 1400 mm with a diameter of 500 mm. The completely welded cutting chamber in conjunction with the „V“ Type rotor design ensures dependability in operation and universal application use. The housing design offers easy and quick access to the cutting chamber during rotor and stator knife changes, servicing or screen changes.



The user friendly design of the GSE series granulators allows quick and easy access to the cutting chamber for maintenance and cleaning.



### Technical Specifications

Type	500/500	500/700	500/1000	500/1400
Rotor diameter (mm)	500	500	500	500
Rotor width (mm)	500	700	1000	1400
Drive capacity (kW)	30	37	45	45
Rotor knives (rows)	3 or 5	3 or 5	3 or 5	3 or 5
Stator blades (rows)	2 or 3	2 or 3	2 or 3	2 or 3
Screen size (mm)	> 6	> 6	> 6	> 6
Effective working area (mm)	500 x 500	500 x 700	500 x 990	500 x 1400
Weight approx. (kg)	1500	1750	3100	3900

### Dimensions

Type	500/500	500/700	500/1000	500/1400
A (mm)	1675	1675	1900	1900
B (mm)	580	580	580	580
C (mm)	1840	1840	1840	1840
D (mm)	515	715	985	1430
E (mm)	1130	1330	1645	2120



## JST ENGINEERING CO.,LTD.

78/6 MOO 7 KING KAEW RD., RACHATEWA,  
BANGPLEE, SAMUTPRAKARN 10540 THAILAND.

- TEL: +66 (0) 2738 5050-4      URL: [www.jst.co.th](http://www.jst.co.th)
- FAX: +66 (0) 2738 5055      LINE ID: @jst.co.th
- E-mail: [info@jst.co.th](mailto:info@jst.co.th)      [www.facebook.com/jst.co.th](https://www.facebook.com/jst.co.th)

ZERMA Machinery & Recycling Technology (Shanghai) Co., Ltd  
5 Xinjie Rd Xinqiao · Township Ind. Park  
201612 · Songjiang · Shanghai · China  
Phone: +86 21 57645573 · [info@zerma.com](mailto:info@zerma.com)



[zerma.com](http://zerma.com)