



JST ENGINEERING CO.,LTD.

78/6 MOO 7 KING KAEW RD., RACHATEWA,
BANGPLEE, SAMUTPRAKARN 10540 THAILAND.

TEL: +66 (0) 2738 5050-4

URL: www.jst.co.th

FAX: +66 (0) 2738 5055

LINE ID: @jst.co.th

E-mail: info@jst.co.th

www.facebook.com/jst.co.th

Container bag discharge station

SS-TKD



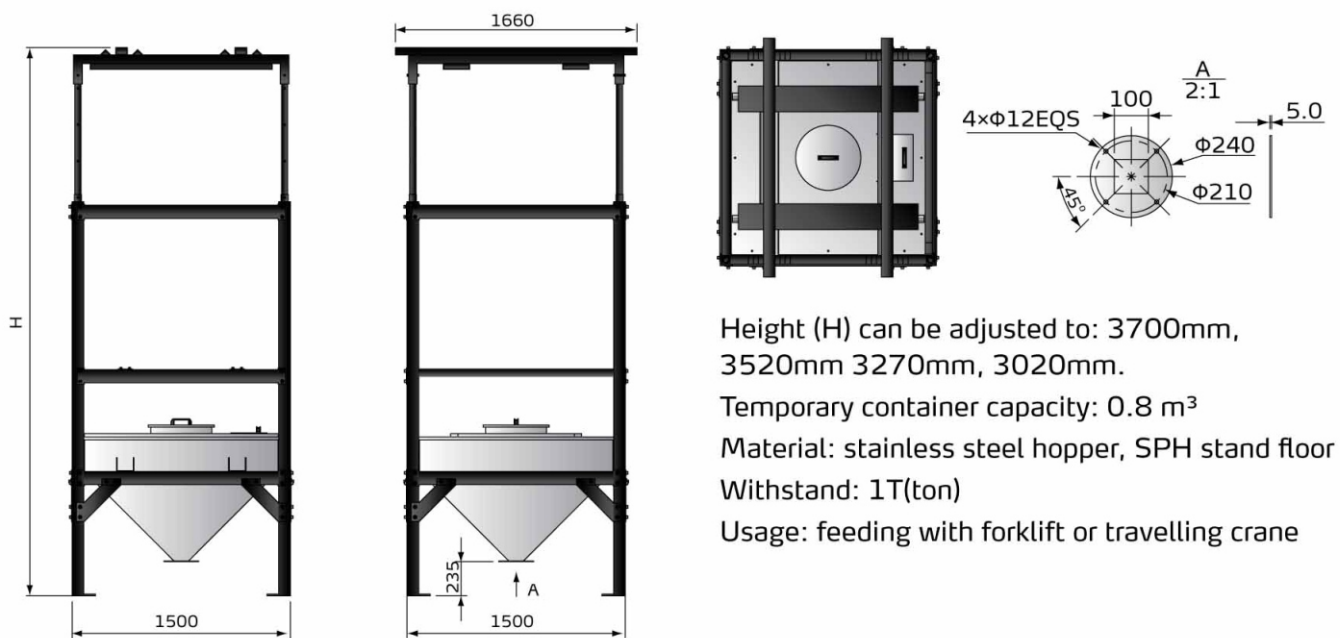
Refer carefully to this manual before operation.

SS-TK Series

Application

The container bag discharge station is used for discharging and conveying of materials from the container bag in the plant; With simple operation, its bottom can mount the suction box for production line conveying or silo feeding; which also can install the optional rotary valve and acceleration chamber to feed the large silo.

Outline Drawings(SS-TK)



Height (H) can be adjusted to: 3700mm, 3520mm, 3270mm, 3020mm.
Temporary container capacity: 0.8 m³
Material: stainless steel hopper, SPH stand floor
Withstand: 1T(ton)
Usage: feeding with forklift or travelling crane

3D Diagram

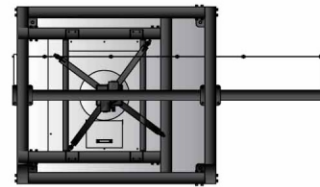
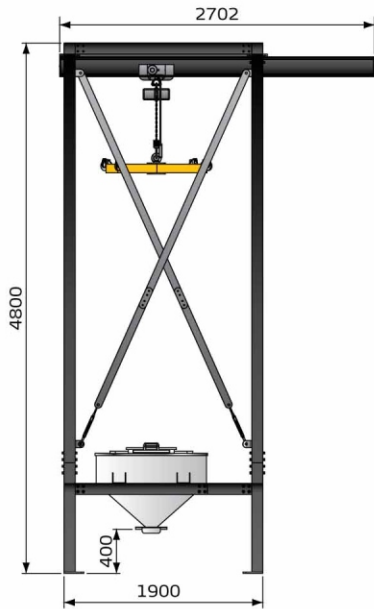


Feeding with forklift



■ **Outline Drawings(SS-TKD)**

Optional with electrical hoist



Electrical hoist: load 2T,
Spe.: 3Φ/380V/50HZ

Range of use: total length of the container bag $\leq 2350\text{mm}$ (with hoisting belt)

Temporary container capacity: 0.4 m^3

Standard shut-off plate

Suction box is optional

3D Diagram



Operations

