



JST ENGINEERING CO.,LTD.

78/6 MOO 7 KING KAEW RD., RACHATEWA,
BANGPLEE, SAMUTPRAKARN 10540 THAILAND.

TEL: +66 (0) 2738 5050-4 URL: www.jst.co.th

FAX: +66 (0) 2738 5055 LINE ID: @jst.co.th

E-mail: info@jst.co.th www.facebook.com/jst.co.th

"Standard" Hopper Dryer

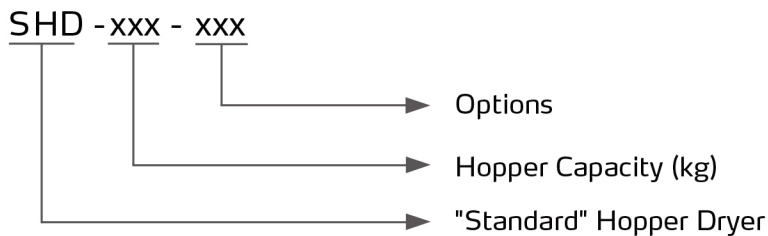
SHD-50



Refer carefully to this manual before operation.

SHD Series

■ Coding Principle



■ Features

- Adopt hot air diffuser to keep plastics dry and temperature stable, thus improve drying efficiency.
- All material contact surfaces are made of stainless steel to eliminate material contamination.
- All series are equipped with external power switch.
- For SHD-25~150, heater pipes are connected by lead sheets and other models are equipped with temperature protection to prevent heater pipe from damaging by blower faults.
- Overheat tripping can automatically cut off power when drying temperature exceeds set deviation value.
- Adopt heat-insulated blower to prolong blower lifespan.
- All series of models standard equipped with 7-day timer and intermittent operation function.
- All series of models adopt microcomputer control and RS485 communication port.
- Max. drying temperature is 160°C.



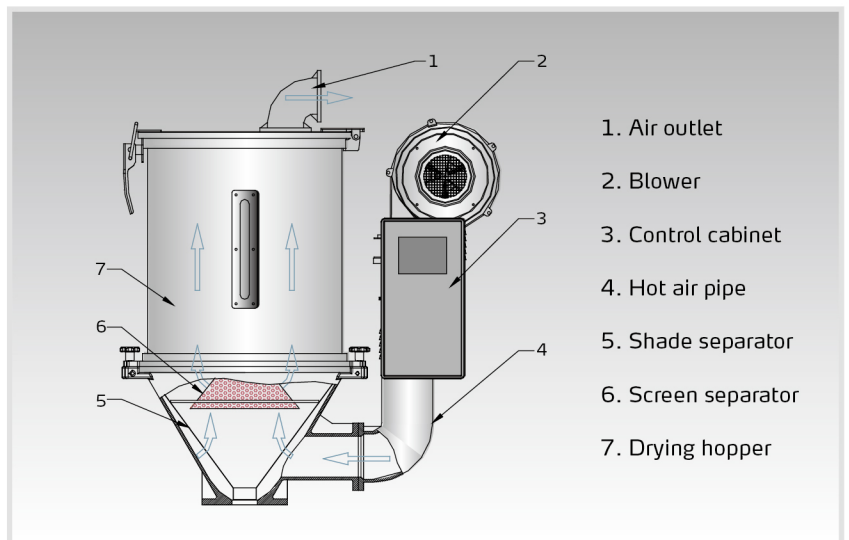
SHD-800



Hopper Inside

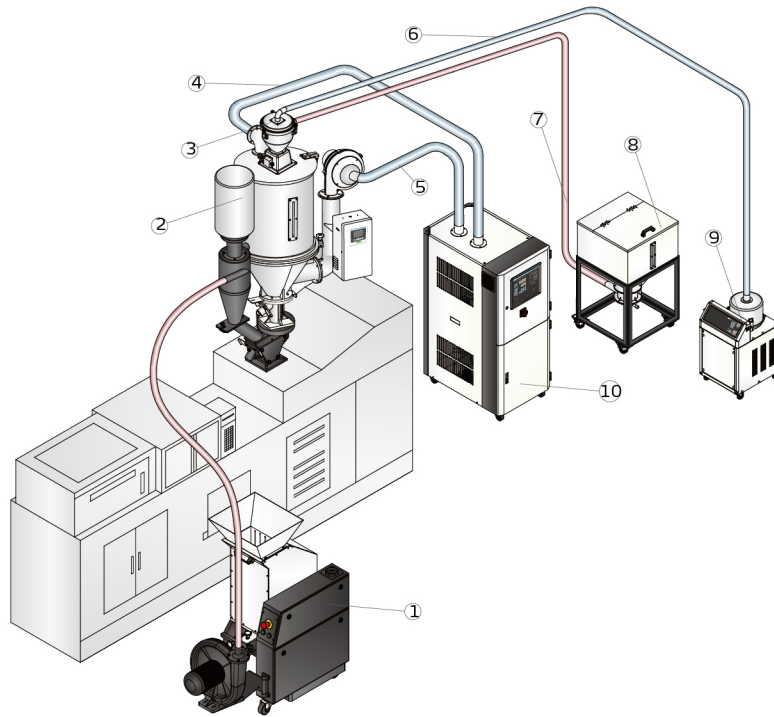
■ Working Principle

Ambient air is blown into drying hopper after heated by heater pipe. Hot air is distributed evenly via shade or screen separator over the material. Moisture in the material is removed slowly over time. Hot air recycler is optional so the air enters drying blower after being filtered to form a closed loop circle and save electricity.



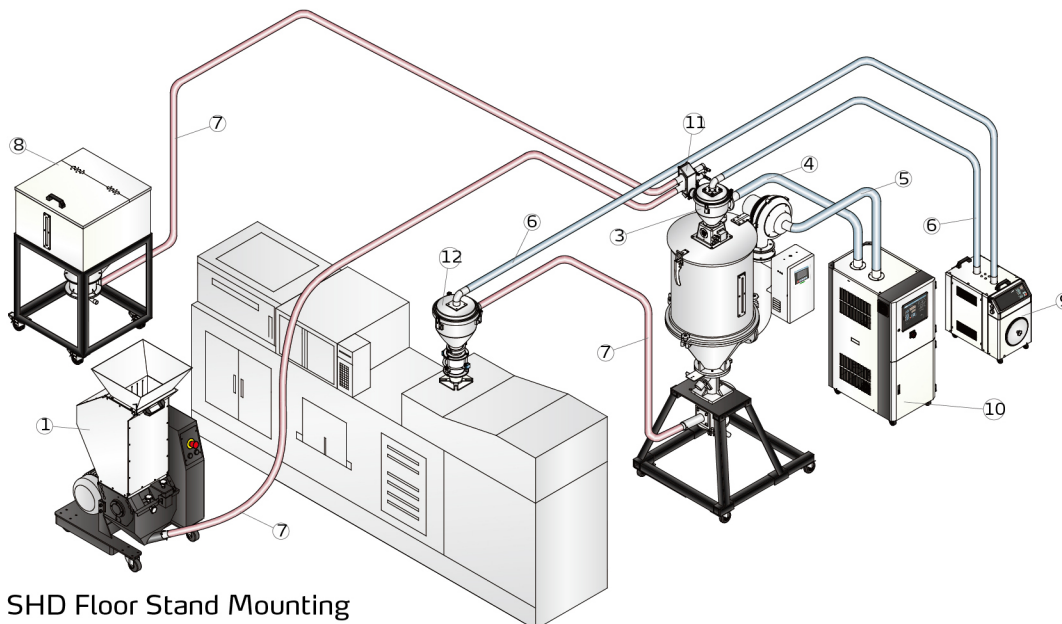
Application

SHD hopper dryers are used for drying hygroscopic plastics, such as PS, PP, and ABS etc., which can reach the highest drying temperature up to 160 °C. The double-layer insulation models can offer uniform drying temperature with less heat loss. In addition, multiple accessories are optional to realize different functions, such as recycling hot air and filtering metal impurities in the materials. The floor stand makes machine floor mount available.



SHD Direct Mounting

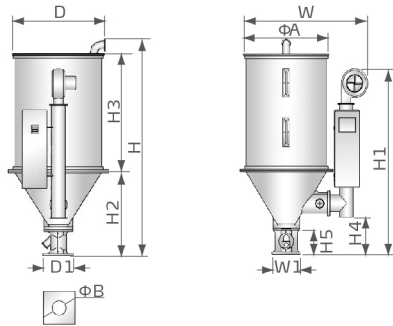
- 1.Low-speed granulator
- 2.30-sec instant recycle
- 3.Vacuum hopper
- 4.Return air
- 5.Dehumidifying air
- 6.Vacuum pipe
- 7.Material pipe
- 8.Material storage tank
- 9.Auto loader
- 10.Honeycomb dehumidifier
- 11.Proportional valve
- 12.Photosensor hopper



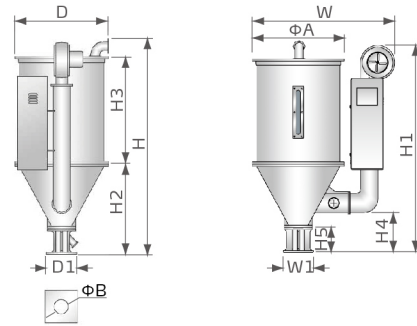
SHD Floor Stand Mounting

SHD Series

Outline Drawings



SHD-12



SHD-25~150

Specifications

Model	SHD-	12	25	50	75	100	150
Heater (kW)		2.2/3*	3/3.3*	3.9/4.2*	4.2/4.8*	6/6.6*	6.6/7.2*
Blower (kW)		0.05	0.12	0.12	0.12	0.12	0.12
Loading Capacity	kg	12	25	50	75	100	150
	lb	26.5	55.1	110.2	165.3	220.5	330.7
H	mm	790	1015	1145	1240	1340	1620
	Inch	31.1	40	45	48.8	52.8	63.8
H1	mm	690	925	1045	1150	1340	1605
	Inch	27	36.4	41.1	45.3	52.8	63.2
H2	mm	317	410	380	475	470	470
	Inch	12.5	16.1	15	18.7	18.5	18.5
H3	mm	370	460	520	620	725	970
	Inch	14.6	18.1	20.5	24.4	28.5	38.2
H4	mm	106	194	206	208	233	233
	Inch	4.2	7.6	8.1	8.2	9.2	9.2
H5	mm	115	150	150	150	158	158
	Inch	4.5	5.9	5.9	5.9	6.2	6.2
W	mm	660	725	840	900	955	955
	Inch	26	28.5	33	35.4	37.6	37.6
D	mm	360	405	490	550	605	605
	Inch	14.1	15.9	19.3	21.7	23.8	23.8
D1	mm	130	158	158	158	238	238
	Inch	5.1	6.2	6.2	6.2	9.4	9.4
W1	mm	130	148	148	148	238	238
	Inch	5.1	5.8	5.8	5.8	9.4	9.4
ΦA	mm	325	385	470	530	595	595
	Inch	12.8	15.2	18.5	20.9	23.4	23.4
ΦB	mm	55	55	55	55	90	90
	Inch	2.2	2.2	2.2	2.2	3.5	3.5
Net Weight	kg	35	40	45	55	70	75
	lb	77	88	99	121	154	165

Notes: 1) Above loading capacity is based on pellet material of 0.65kg/L(5.5lb/gal) in bulk density and 3~5mm(0.1~0.2inch) in diameter.

2) "*"stands for high-temperature model, and the max. temperature is 180°C/356°F.

3) Maximum drying temperature of SHD-EH is 150°C/302°F

4) Power: 3Φ, 230/400/460/575VAC, 50/60Hz.

We reserve the right to change specifications without prior notice.