



"Standard" Drying Loader



JST ENGINEERING CO.,LTD.

78/6 MOO 7 KING KAEW RD., RACHATEWA,
BANGPLEE, SAMUTPRAKARN 10540 THAILAND.



TEL: +66 (0) 2738 5050-4



URL: www.jst.co.th



FAX: +66 (0) 2738 5055



LINE ID: @jst.co.th



E-mail: info@jst.co.th



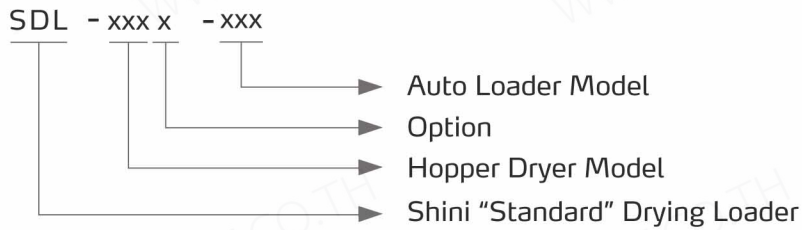
www.facebook.com/jst.co.th

SDL-100-700G



Refer carefully to the manual before operation.

■ Coding Principle

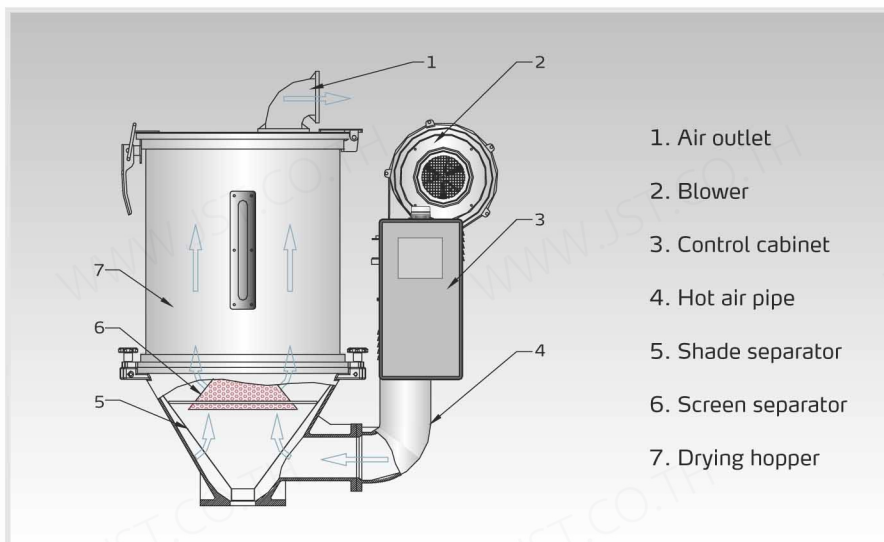


SDL-200 -810G

■ Features

- Integrate material drying and conveying function into portable unit .
- All material contact surfaces are made of stainless steel to eliminate material contamination.
- Single tube suction box is standard accessory.
- All Series are equipped with standard base.
- Overheat tripping can automatically cut off power when drying temperature exceeds set deviation value.
- Adopts heat-insulated blower for better blower lifespan.
- All models adopt microcomputer control.

■ Working Principle

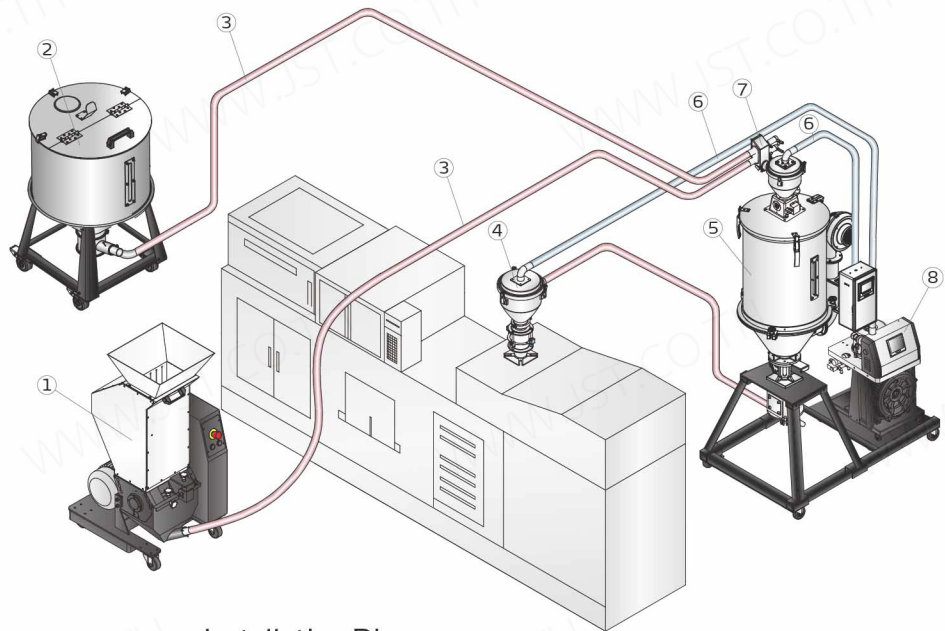


SDL Series

Application

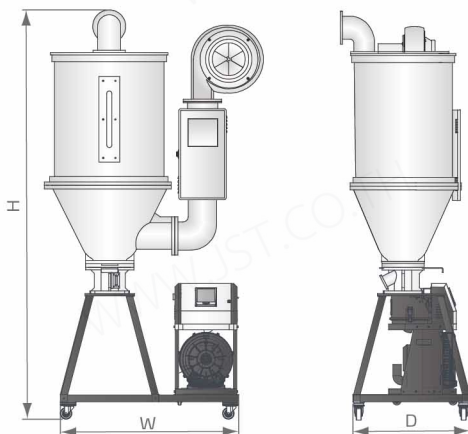
SDL "Standard" Drying Loader integrates drying and conveying, which can move freely to meet practical production conveniently. It is suitable for drying most un-hygroscopic plastics, such as PS, PP, ABS, etc., so as to achieve materials auto feeding and save labor costs.

1. Low-speed granulator
2. Material storage tank
3. Material pipe
4. Photosensor hopper receiver SVH
5. Hopper dryer
6. Vacuum pipe
7. Proportional valve
8. Main vacuum unit



Installation Diagram

Outline Drawings



To work with



SVH



SMH

Options

- For models with hopper polished inside, add "P" at the end of the mode code.
- The high temp. model can reach the max. temp. of 180°C, and add "H" at the end of the model code.

■ Specifications

Model	Dryer model	Loader model	Hopper receiver model	Conveying capacity (kg/hr)	Receiver capacity(L)	Dimension(mm) H × W × D	Weight (kg)
SDL-25-700G	SHD-25E	SAL-700G	1 × SVH-6L	300	6	1742×1079×708	95
SDL-25-810G	SHD-25E	SAL-810G					
SDL-25-910G	SHD-25E	SAL-910G					
SDL-50-700G	SHD-50E	SAL-700G	1 × SVH-6L	300	6	1865×1079×708	110
SDL-50-810G	SHD-50E	SAL-810G					
SDL-50-910G	SHD-50E	SAL-910G					
SDL-75-700G	SHD-75E	SAL-700G	1 × SVH-6L	300	6	2065×1079×708	115
SDL-75-810G	SHD-75E	SAL-810G					
SDL-75-910G	SHD-75E	SAL-910G					
SDL-100-700G	SHD-100E	SAL-700G	1 × SVH-6L	300	6	2074×1079×708	115
SDL-100-810G	SHD-100E	SAL-810G					
SDL-100-910G	SHD-100E	SAL-910G					
SDL-150-700G	SHD-150E	SAL-700G	1 × SVH-6L	300	6	2394×1079×708	160
SDL-150-810G	SHD-150E	SAL-810G					
SDL-150-910G	SHD-150E	SAL-910G					
SDL-200-810G	SHD-200E	SAL-810G	1 × SVH-6L	300	6	2536×1140×840	210
SDL-200-910G	SHD-200E	SAL-910G	1 × SVH-6L 1 × SMH-6L	450	2 × 6		
SDL-300-810G	SHD-300E	SAL-810G	1 × SVH-6L	300	6	2956×1140×840	220
SDL-300-910G	SHD-300E	SAL-910G	1 × SVH-6L 1 × SMH-6L	450	2 × 6		
SDL-400-820G	SHD-400E	SAL-820G	1 × SVH-12L	400	12	2635×1240×1020	285
SDL-400-920G	SHD-400E	SAL-920G	1 × SVH-12L 1 × SMH-12L	700	2 × 12		

We reserve the right to change specifications without prior notice.