



Vertical Batch Mixer



JST ENGINEERING CO.,LTD.

78/6 MOO 7 KING KAEW RD., RACHATEWA,
BANGPLEE, SAMUTPRAKARN 10540 THAILAND.

TEL: +66 (0) 2738 5050-4

URL: www.jst.co.th

FAX: +66 (0) 2738 5055

LINE ID: @jst.co.th

E-mail: info@jst.co.th

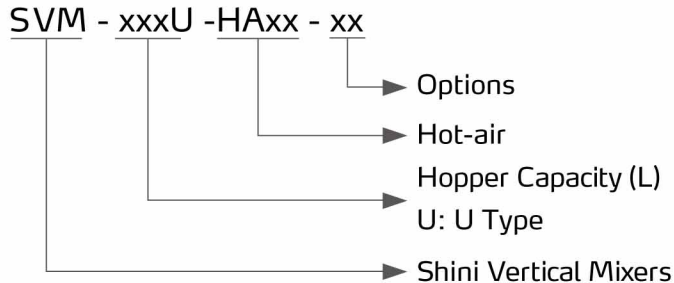
www.facebook.com/jst.co.th

SVM-300U



Refer carefully to the manual before operation.

■ Coding Principle

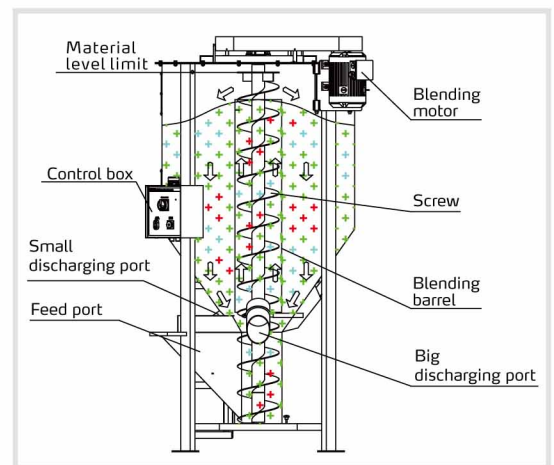


Control Panel

■ Features

- Vertically mounted blending screw and cylinder ensure even mixing of materials.
- Function of feeding plus mixing simultaneously can save time significantly.
- Timer auto-stop function.
- Bottom material feeding method makes it easy for material supply.

■ Working Principle



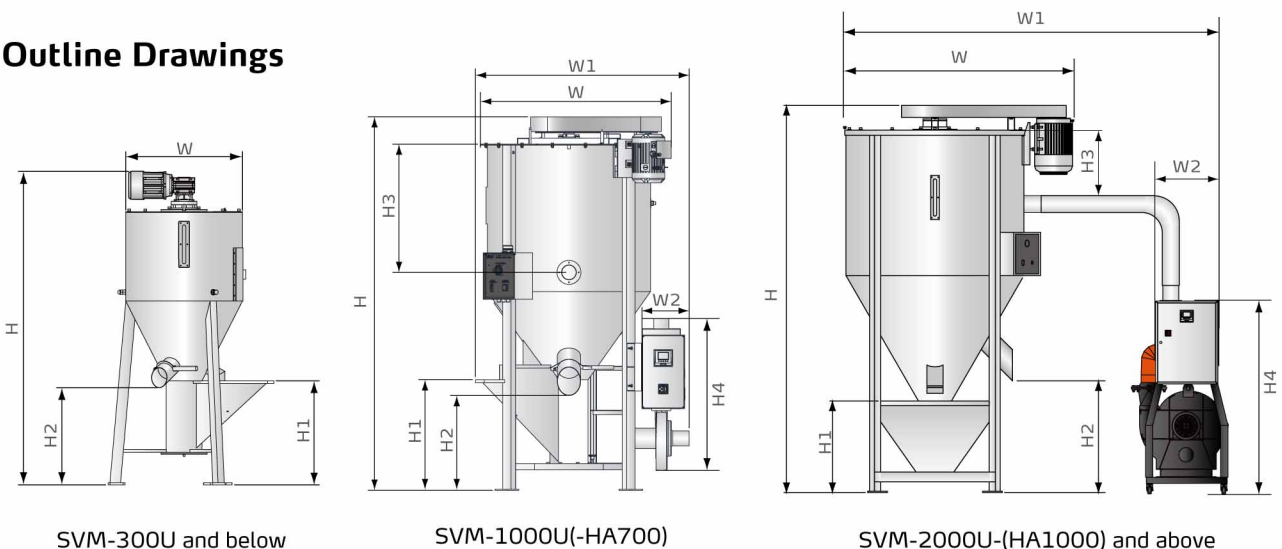
■ Options

Rotary level sensor is optional, and add "HL" at the end of model code.

■ Application

SVM-U is mainly used for mixing plastics as raw materials, masterbatch and recycled materials. SVM-U can not be used dealing with plastic powder and all kinds of foods, chemicals, and inflammable, explosive and volatile materials. Bulk density should be taken into account when the dimension of material is uneven or in other forms.

■ Outline Drawings



SVM-300U and below

SVM-1000U(-HA700)

SVM-2000U(-HA1000) and above

SVM-U Series

Specifications SVM-U

Model	SVM-160U	SVM-300U	SVM-1000U	SVM-2000U	SVM-3000U	SVM-4000U	SVM-6000U	SVM-10000U
Motor Power(kW)	1.1	1.1	4	5.5	5.5	5.5	7.5	11
Max. Throughput (kg/hr)	400	800	2600	3900	5800	7800	9750	13000
Blending Barrel (L)	160	300	1000	2000	3000	4000	6000	10000
Dimensions	H (mm)	1770	1970	2538	2890	3260	3530	4110
	H1 (mm)	590	590	751	820	840	910	930
	H2 (mm)	550	540	643	690	690	840	790
	W (mm)	660	770	1330	1700	1860	1990	2110
Weight (kg)	170	190	520	730	890	1080	1370	2090

SVM-U-HA

Model SVM-	1000U-HA700	2000U-HA1000	3000U-HA1500	4000U-HA2000	6000U-HA3000	10000U-HA4000
Motor Power(kW)	4	5.5	5.5	5.5	7.5	11
Blending Barrel(L)	1000	2000	3000	4000	6000	10000
Blower power(kW)	1.1	3.7	5.5	7.5	15	22
Process heater power (kW)	24	32	58	64	96	128
Heating box air outlet pipe dia. (inch)	4	5	8	8	8	10
Dimensions	H (mm)	2538	2890	3260	3530	4110
	H1 (mm)	751	820	840	910	930
	H2 (mm)	643	690	690	840	790
	H3 (mm)	860	875	885	915	915
	H4 (mm)	1091	1650	2010	2290	2376
	W (mm)	1330	1700	1860	1990	2110
	W1 (mm)	1454	3115	3240	3550	3704
	W2 (mm)	427	815	780	990	994

Notes: 1) Max. mixing capacity is tested based on continuous processing material of 0.65kg/Lin bulk density and 2~3mm in size.
2) Power 3Φ, 230 / 400 / 460 / 575VAC, 50 / 60Hz.

We reserve the right to change specifications without prior notice.