



## Material Consumption Monitor for Hopper Receiver



**JST ENGINEERING CO.,LTD.**

78/6 MOO 7 KING KAEW RD., RACHATEWA,  
BANGPLEE, SAMUTPRAKARN 10540 THAILAND.

TEL: +66 (0) 2738 5050-4

URL: [www.jst.co.th](http://www.jst.co.th)

FAX: +66 (0) 2738 5055

LINE ID: @jst.co.th

E-mail: [info@jst.co.th](mailto:info@jst.co.th)

[www.facebook.com/jst.co.th](https://www.facebook.com/jst.co.th)

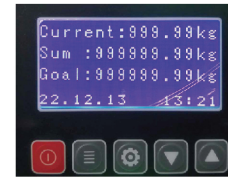
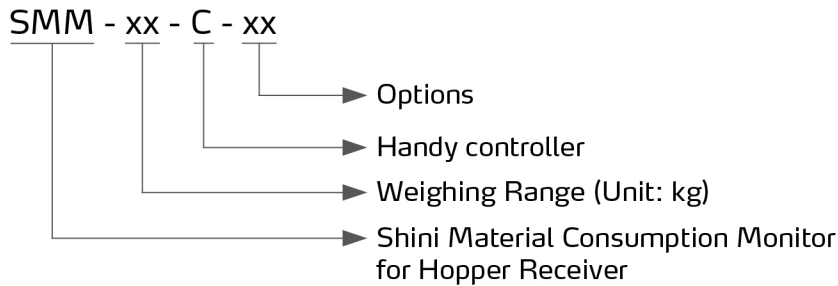
SMM-50



Refer carefully to this manual before operation.

# SMM Series

## ■ Coding Principle

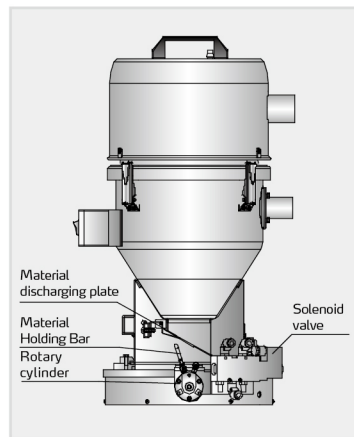


Handy controller panel

## ■ Features

- Real-time material consumption monitoring.
- Production batch control.
- Statistical Material throughput.
- Precision up to  $\pm 1\%$
- The parts in contact with materials are made of stainless steel to ensure no material contamination.
- Standard communication function via RS485

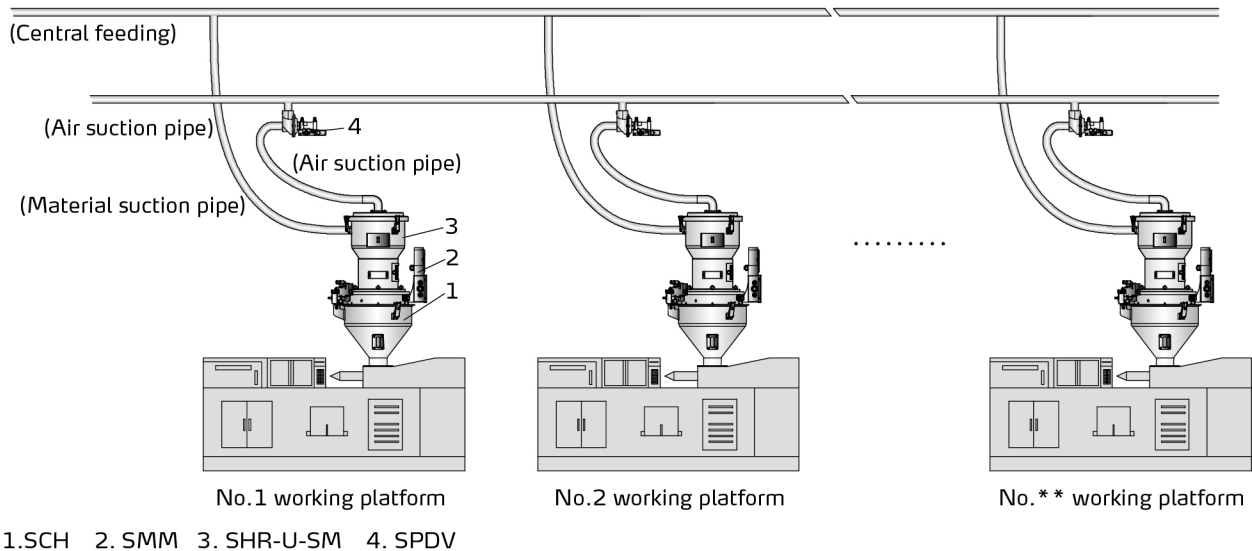
## ■ Working Principle



After receiving the material loading signal from the auto-loader, the cylinder rotary rod starts working, holds up the discharging plate of the loader, and then starts to weigh. After material loading, the controller will read the stabilized value and then release the autoloader, thus completing a weighing cycle. The optional handy controller displays current weight, accumulative weight, set target output, and other functions.

## ■ Application

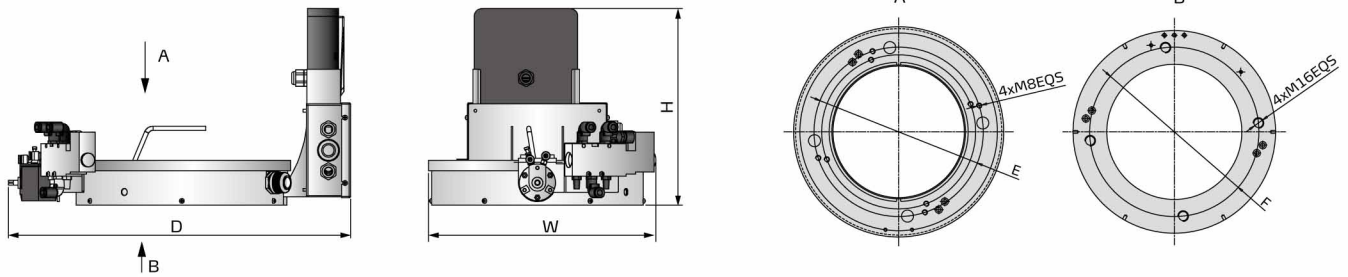
When used in plastic production, SMM can upload the weighing data to the main control of central conveying via the communication port. The main control monitors the material consumption of each unit in real-time and makes adjustments. To arrange production reasonably and reduce material waste.



## Options

For high temperature model, add "H" at the end of the model code.

## Outline Drawings



## Specifications

Model	Weighing Range (kg)	Dimensions (mm) H×W×D	With SHR-U-SM	With S(I)CH-U-(H)FS	ΦE(mm)	ΦF(mm)	Weight (kg)
SMM-50	50	285x330x496	SHR-6U-SM SHR-12U-SM SHR-24U-SM	SCH-12U-FS SCH-24U-FS SICH-12U-HFS SICH-24U-HFS	254.5	254.5	5
SMM-100	100	285x380x548	SHR-36U-SM SHR-48U-SM	SCH-12U-FS SCH-24U-FS SICH-12U-HFS SICH-24U-HFS	330	254.5	7
SMM-200	200	285x380x548	SHR-96U-SM	SCH-24U-FS SCH-36U-FS SICH-24U-HFS SICH-36U-HFS	330	254.5	7

Power supply: 1 Φ , 24V

We reserve the right to change specifications without prior notice.