



## Separate-vacuum Hopper Loader



**JST ENGINEERING CO.,LTD.**

78/6 MOO 7 KING KAEW RD., RACHATEWA,  
BANGPLEE, SAMUTPRAKARN 10540 THAILAND.

TEL: +66 (0) 2738 5050-4



URL: [www.jst.co.th](http://www.jst.co.th)

FAX: +66 (0) 2738 5055



LINE ID: @jst.co.th

E-mail: [info@jst.co.th](mailto:info@jst.co.th)



[www.facebook.com/jst.co.th](https://www.facebook.com/jst.co.th)

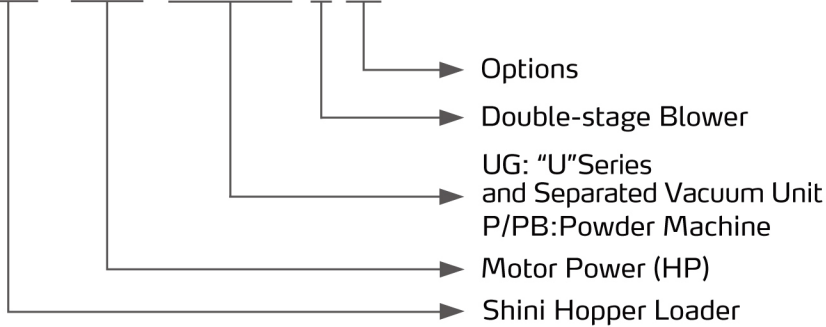
SAL-10HP-UG & SHR-36U



Refer carefully to the manual before operation.

## ■ Coding Principle

SAL - xxHP-UGP/PB-D-xx



SAL-5HP-UG&SVH-24L

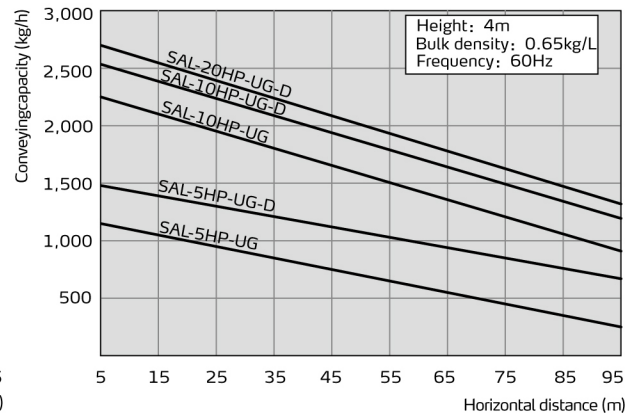
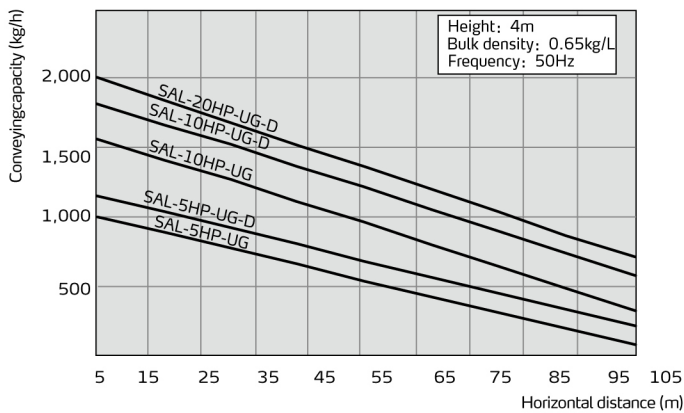
## ■ Features

- Two-stage cyclone and filter technology with large dust bin for quick and easy maintenance.
- Controller build-in proportional valve SPV-U control function.
- Standard vacuum breaking valve for quick material discharge.
- Stainless steel hopper receiver.
- Standard filter purging device is suitable for 5HP and above models



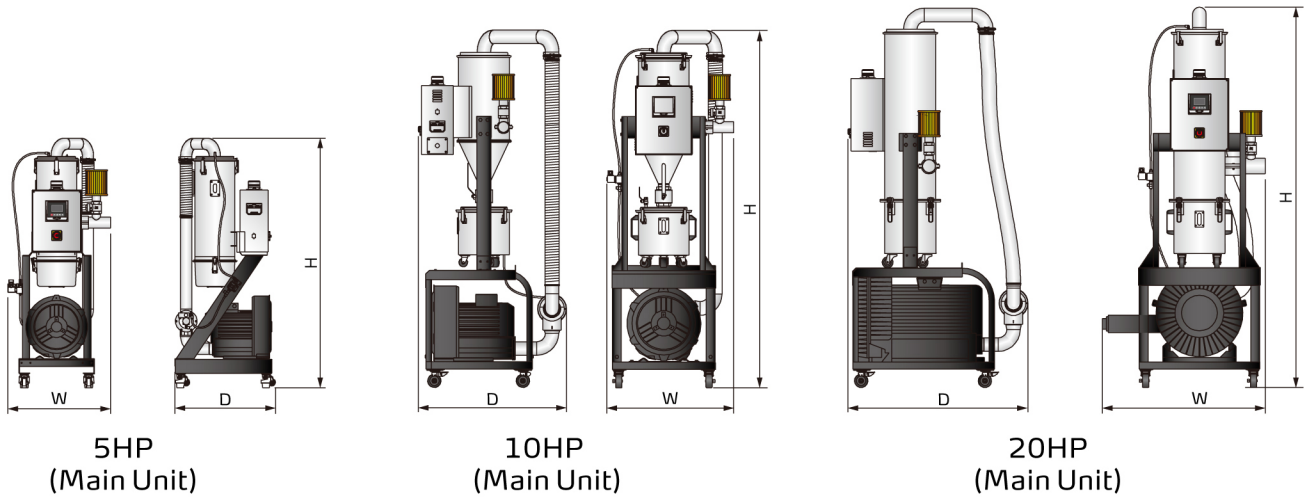
Vacuum breaking valve

## ■ SAL-UG Conveying Capacity

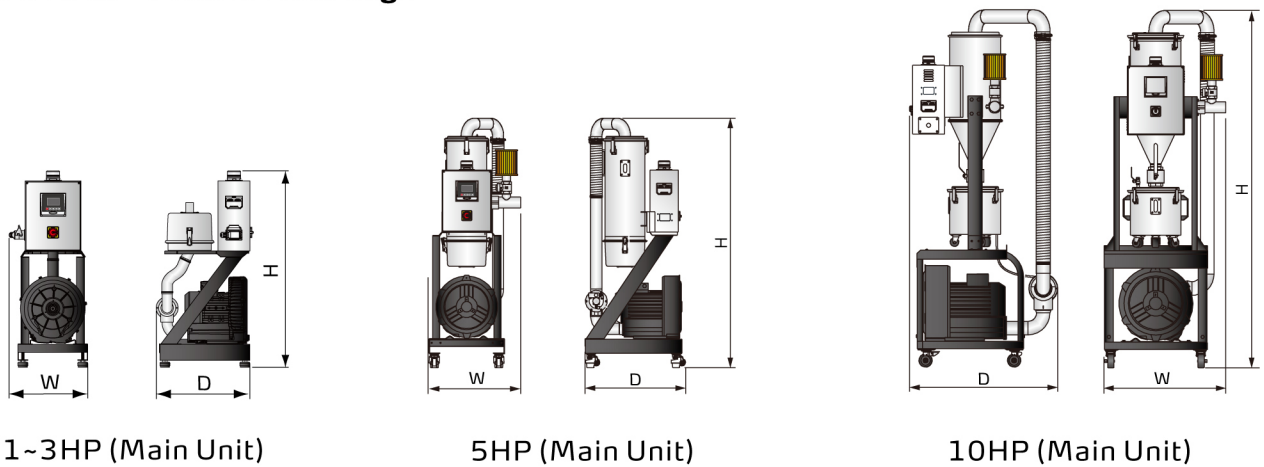


# SAL-UG/UGP Series

## ■ SAL-UG/PB Outline Drawings



## ■ SAL-UGP Outline Drawings



## ■ SAL-UG Specifications

Model	Motor Power (50/60Hz) (kW)	Dimension (mm) H × W × D	Weight (kg)	Applied to	Conveying Pipe Dia. (inch)	Vacuum Pipe Dia. (inch)	Conveying Capacity (kg/hr) (50/60Hz)
SAL-5HP-UG	3.75/4.2	1410 × 580 × 570	74	SHR-24U × 1	2	2	1000/1100
SAL-5HP-UG-D	3.0/3.35	1410 × 700 × 570	76				1125/1480
SAL-10HP-UG	7.5/8.4	2020 × 720 × 840	160	SHR-36U × 1	2	2.5	1600/2250
SAL-10HP-UG-D		2020 × 855 × 840	162				1800/2530
SAL-20HP-UG-D	11/12.3	2145 × 920 × 1000	236	SHR-48U/96U × 1	2.5	3	2000/2700

Notes: 1) "SVH-L" stands for photosensor hopper receiver, "SHR-U" refers to vacuum hopper receiver.

2) Test condition of conveying capacity: Plastic material of bulk density 0.65kg/L, dia. 3~5mm, vertical conveying height: 4m, horizontal conveying distance: 5m.

3) Power supply: 3Φ, 230/400/460/575V, 50/60Hz



## SAL-UGP Specifications (With cloth filter, this series is suitable for conveying materials containing 30% powder.)

Main Unit		Hopper Receiver						Cloth Filter Quantity	(Main Unit) H×W×D (mm)
Model	Motor Power (kW) (50/60Hz)	Applied to	Conveying Pipe Dia. (inch)	Vacuum Pipe Dia. (inch)	Hopper Capacity (L)	Hopper Dia. (mm)	Conveying Capacity (kg/hr)		
SAL-1HP-UGP	0.75/0.85	SHR-P-12U	1.5	1.5	12	Φ 320	300	2	1000×400×500
SAL-2HP-UGP	1.5/1.8	SHR-P-30U			30		400		
SAL-3HP-UGP	1.85/2.0	SHR-P-60U	2	2	60	Φ 542	650	6	
SAL-5HP-UGP	3.75/4.2						1200		1380×470×600
SAL-5HP-UGP-D	3.0/3.35						1350		
SAL-10HP-UGP	7.5/8.6	SHR-P-90U	2.5	2.5	90	Φ 542	2000	7	2015×620×795
SAL-10HP-UGP-D									2015×790×795

## SAL-UGP Specifications (With plate filter, this series is suitable for conveying materials containing 100% powder.)

Main Unit		Hopper Receiver						Cloth Filter Quantity	(Main Unit) H×W×D (mm)
Model	Motor Power (kW, 50/60Hz)	Applied to	Conveying Pipe Dia. (inch)	Vacuum Pipe Dia. (inch)	Hopper Capacity (L)	Hopper Dia. (mm)	Conveying Capacity (kg/hr)		
SAL-1HP-UGP	0.75/0.85	SHR-P-30U-2	1.5	1.5	30	Φ 420	300	2	1000×400×500
SAL-2HP-UGP	1.5/1.8						400		
SAL-3HP-UGP	1.85/2.0	SHR-P-60U-3	2	2	60	Φ 542	650	3	
SAL-5HP-UGP	3.75/4.2						1200		1380×470×600
SAL-5HP-UGP-D	3.0/3.35						1350		
SAL-10HP-UGP	7.5/8.6	SHR-P-90U-5	2.5	2.5	90	Φ 542	2000	5	2015×620×795
SAL-10HP-UGP-D									2015×790×795

Notes: 1) Test condition of conveying capacity: Use dried powder plastic material without any viscosity and its bulk density is 0.6kg/L, vertical conveying height: 4m, horizontal conveying distance: 5m.  
2) Power supply: 3Φ, 230/400/460/575V, 50/60Hz.

We reserve the right to change specifications without prior notice.

## SAL-UGPB Specifications

Main Unit		Hopper Receiver						Cloth Filter Quantity	(Main Unit) H×W×D (mm)
Model	Motor Power (kW, 50/60Hz)	Applied to	Conveying Pipe Dia. (inch)	Vacuum Pipe Dia. (inch)	Hopper Capacity (L)	Hopper Dia. (mm)	Conveying Capacity (kg/hr)		
SAL-5HP-UGPB	3.75/4.2	SHR-PB-30U	2	2	30	Φ 420	1200	2	1380×470×600
SAL-5HP-UGPB-D	3.0/3.35						1350		1380×670×600
SAL-10HP-UGPB	7.5/8.6	SHR-PB-60U	2.5	2.5	60	Φ 542	2000	3	2015×620×795
SAL-10HP-UGPB-D									2015×790×795
SAL-20HP-UGPB-D	11/12.6	SHR-PB-90U	3.0	3.0	90	Φ 542	3000	5	2145×920×1000

Notes: 1) Test condition of conveying capacity: Use dried powder plastic material without any viscosity and its bulk density is 0.6kg/L, vertical conveying height: 4m, horizontal conveying distance: 5m.  
2) The hopper adopts the plate filter and DN250 caliber butterfly valve for quick discharging and effective avoiding bridging, which is suitable for 100% powder conveying  
3) Power supply: 3Φ, 230/400/460/575V, 50/60Hz.

We reserve the right to change specifications without prior notice.